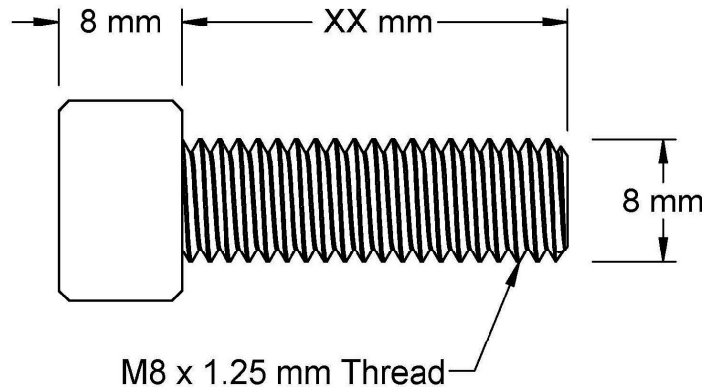
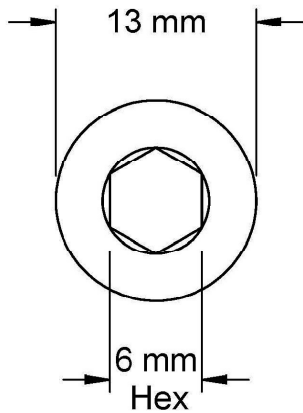
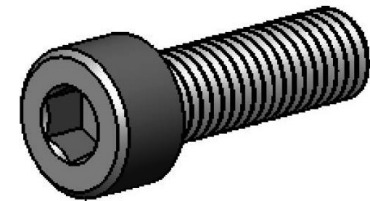



This drawing and the information contained herein are the confidential and proprietary property of Global Supply LLC



PART NUMBER	LENGTH
.80C80SCSHO	8mm
.80C100SCSHO	10mm
.80C120SCSHO	12mm
.80C140SCSHO	14mm
.80C160SCSHO	16mm
.80C180SCSHO	18mm
.80C200SCSHO	20mm
.80C220SCSHO	22mm
.80C250SCSHO	25mm



NOTES:  
 1. INTERPRET DRAWINGS PER DIN912 STANDARD.  
 2. DIMENSIONS AND TOLERANCES PER ANSI/ASME B18.3.1M  
 3. ROHS AND REACH COMPLIANT

<b>DRAWING SCALE:</b> <b>METRIC</b>		<b>MATERIAL:</b> <b>STEEL CLASS 8.8</b>	<b>DESCRIPTION:</b> <b>M8 x 1.25 SOCKET HEAD CAP SCREW</b>
<b>TOLERANCES:</b> <i>Unless specified otherwise, all dimensions are in millimeters</i>	x.xxx +/- 0.100 x.xx +/- 0.100 x.x +/- 0.100	<b>FINISH:</b> <b>BLACK OXIDE</b>	<b>PART NUMBER:</b> <b>.80CXXSCSHO</b>
<b>DRAWN BY:</b> LCLARY	<b>FSCM No.</b> <b>67012</b>		 <b>Global Supply LLC</b> WORLDWIDE SUPPLIER OF ELECTRONIC HARDWARE, FASTENERS & COMPONENTS <small>500 Division Street, Campbell, CA 95008-6906          Tel: 408 960 0370 Fax: 408 960 0375 Web: www.globalsupply.com</small>
<b>REV:</b>			
INITIAL RELEASE	LJA	Jun 7, 2018	
		<b>ECCN</b> EAR99 = NLR (No License Required)	